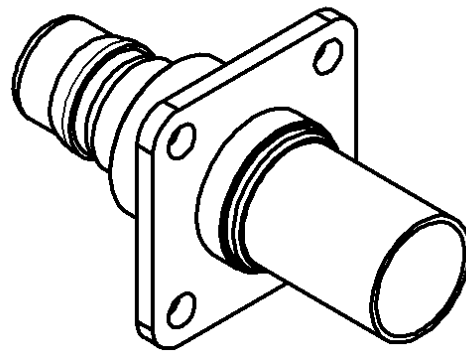
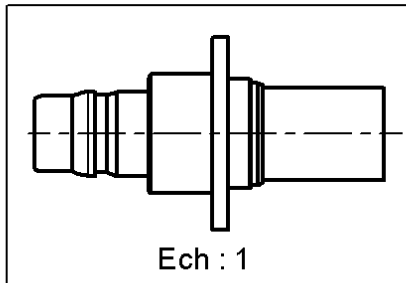
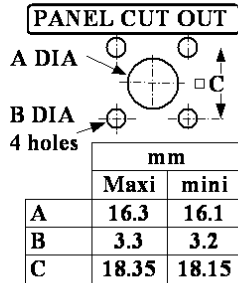
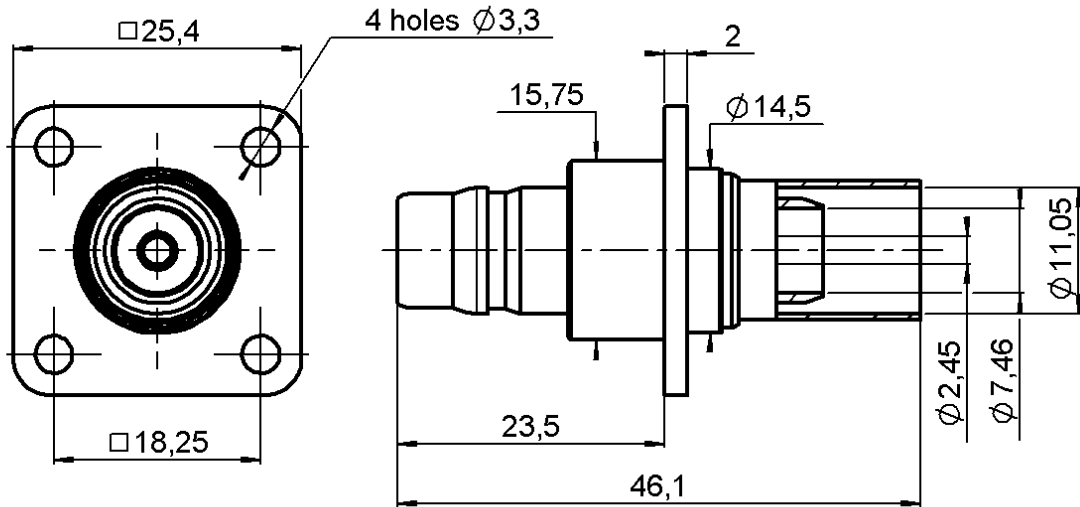


STRAIGHT FLANGE JACK CRIMP TYPE

R164.286.000

CABLE 10/50 S

Series : QN



All dimensions are in mm.

COMPONENTS	MATERIALS	PLATING (µm)
BODY	BRASS	BBR 0.5 OVER SILVER 3
CENTER CONTACT	BERYLLIUM COPPER	PASSIVIERUNG SILBER 5 AUF KUPFLER 0.5
OUTER CONTACT	-	-
INSULATOR	PTFE	-
GASKET	-	-
OTHERS PARTS	BRASS	BBR 2
-	-	-
-	-	-

Issue : 0505 B

In the effort to improve our products, we reserve the right to make changes judged to be necessary.



STRAIGHT FLANGE JACK CRIMP TYPE

R164.286.000

CABLE 10/50 S

Series : QN

PACKAGING

Standard	Unit	Other
50	'W' option	Contact us

SPECIFICATION

ELECTRICAL CHARACTERISTICS

Impedance	50	Ω
Frequency	0-6*	GHz
VSWR	1.05 + 0,0250	x F(GHz) Maxi
Insertion loss	0.048	\sqrt{F} (GHz) dB Maxi
RF leakage	- (**)	- F(GHz)) dB Maxi
Voltage rating	1000	Veff Maxi
Dielectric withstanding voltage	2500	Veff mini
Insulation resistance	5000	M Ω mini

CABLE ASSEMBLY

Stripping	a	b	c	d	e	f
mm	5,00	8,00	14,0	0,00	9,00	0,00

Assembly instruction : **Crimp 02**

Recommended cable(s)
KX 4
RG 165
RG 213

Characteristics indicated on this data sheet are those that can be achieved with the highest performance cable. Intrinsic limitations of the cable may diminish the performance of the assembly

Cable retention

- pull off **300** N mini
- torque **NA** N.cm

MECHANICAL CHARACTERISTICS

Center contact retention		
Axial force – Mating end	68	N mini
Axial force – Opposite end	68	N mini
Torque	NA	N.cm mini

TOOLING

Part Number	Description	Hexagon
.	.	.
R282.231.000	CRIMPING TOOL	2.54 - 10.54
R282.235.116	CRIMPING DIES	2.54 - 10.54
R282.293.000	CRIMPING TOOL	-

Recommended torque		
Mating	NA	N.cm
Panel nut	NA	N.cm
Clamp nut	NA	N.cm
A/F clamp nut	0,0000	mm

Mating life	100	Cycles mini
Weight	35,1700	g

OTHER CHARACTERISTICS

* usable 0-11GHz
**Connector only : -90dB DC<F<3GHz
-80dB min 3<F<6GHz

ENVIRONMENTAL

Operating temperature	-55/+125	$^{\circ}$ C
Hermetic seal	NA	Atm.cm3/s
Panel leakage	-	

Issue : 0505 B

In the effort to improve our products, we reserve the right to make changes judged to be necessary.

